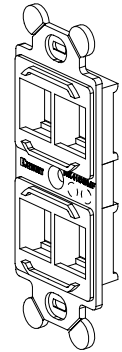
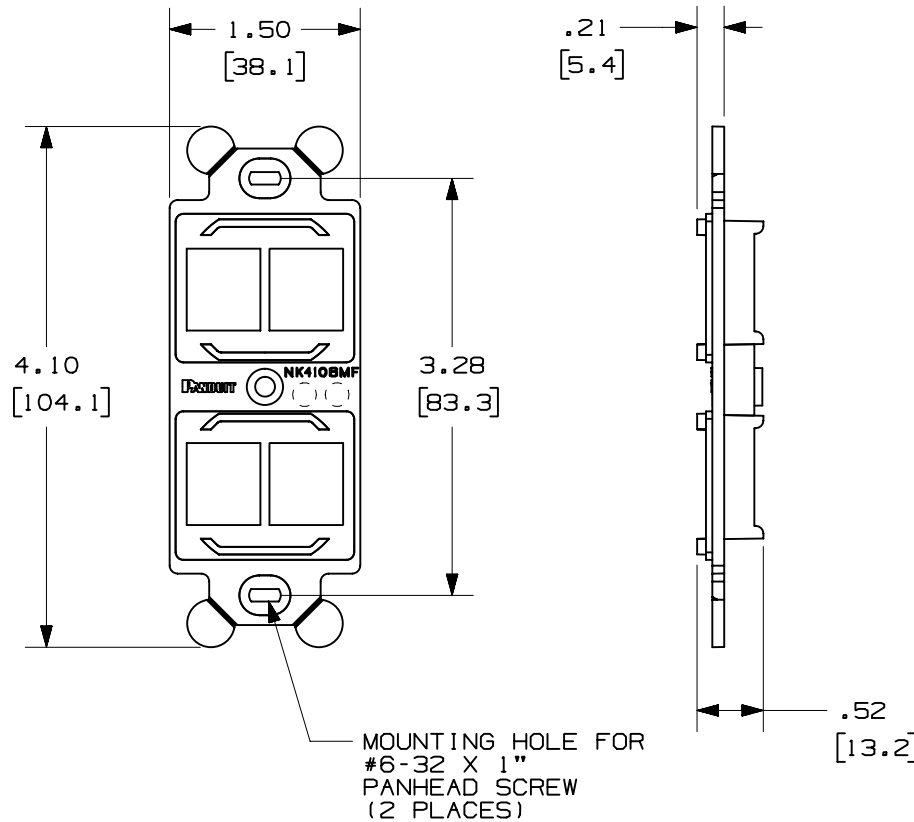


THIS COPY IS PROVIDED ON A RESTRICTED BASIS AND IS NOT TO BE USED IN ANY WAY DETRIMENTAL TO THE INTERESTS OF PANDUIT CORP.

PANDUIT P/N	WEIGHT
NK4106MF**	.03 lb EACH (12.2 g EACH)

NOTES:

- SEE CURRENT CATALOG FOR ADDITIONAL PART NUMBER SUFFIXES TO INDICATE COLOR AND OR PACKAGE QUANTITY.
- FRAME ACCEPTS FOUR 4 NETKEY™ MODULES.
- DIMENSIONS IN PARENTHESES ARE IN METRIC.
- (2) #6-32 x 1" PANHEAD SCREWS ARE SUPPLIED.



MODEL FILENAME	D38378BA_NK410MF_04.PRT	SIZE	A
DRAWING FILENAME	D38378BA_DC_04B.PRT		

NETKEY™ 4 POSITION "106" STYLE
MODULE FRAME CUSTOMER DRAWING

<p>PANDUIT® CORP. TINLEY PARK, IL 60477</p>	I.I. NUMBER	N/A
	PRODUCT SPEC	N/A
<p>THIRD ANGLE PROJECTION</p>	WORK INSTRUCTION	N/A
	SCALE	NONE
DRAWN BY JsP	MATERIAL:	ABS
DATE 11-30-01		PART NO. NK4106MF**
CHK'D PM		DRAWING NO. 38378-03

REV	DATE	BY	CHK	DESCRIPTION	ECN	R	CUST	SUP	OTH
1	10-18-02	JsP		A. REVISED TITLE.	38378-03				
R	11-30-01	JBN	PM	RELEASED TO PRODUCTION	38378-03				